

## Technical Specifications

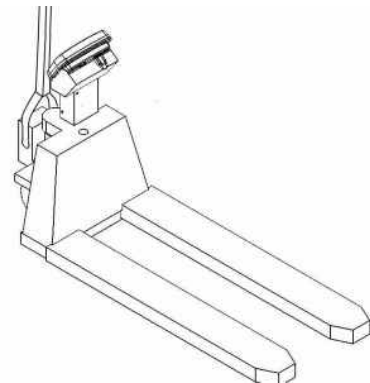
Maximum capacity	4400lb/2000kg
Readability	1lb/500g

## General Specifications

Model	PTS 5000a+AE402
Units of measurement	Pound (lb), Kilogram (kg)

## Key Accessories

- AE402 Relay Option



Adam Equipment - offices worldwide

[www.adamequipment.com](http://www.adamequipment.com)